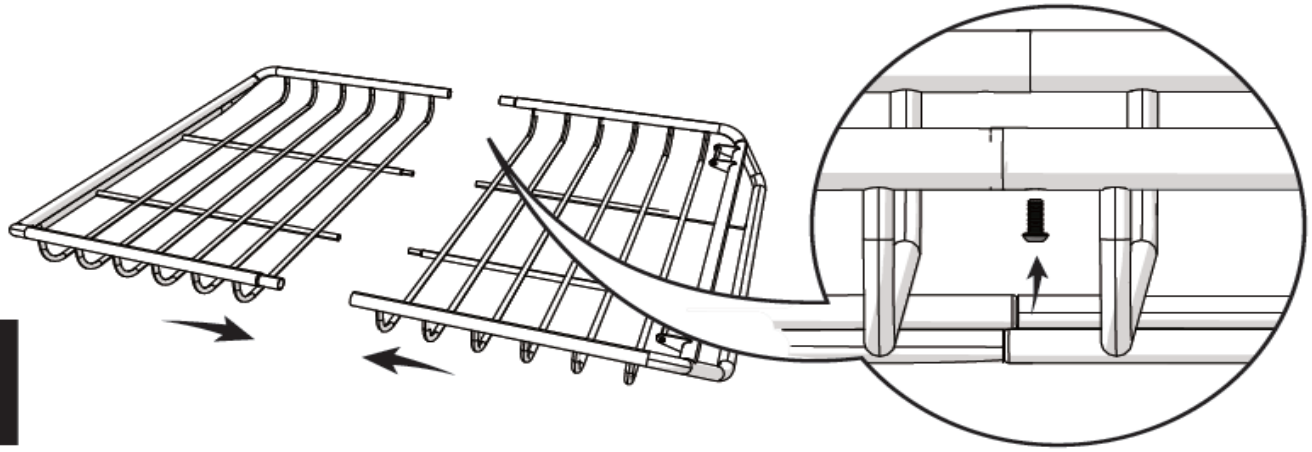


⚠ **IMPORTANT INFORMATION** ⚠

- Periodically check condition of basket and hardware to confirm a secure installation. Basket should **not** slide on the roof bars.
- Use caution when opening back glass to avoid contact with rack.
- Maximum bicycle weight 18kg (40lb) each.
- Full load rating 63kg (140lb). Includes bicycles and basket contents.
- Do **not** off road with bikes, or any other load. Distribute load evenly.
- Always properly secure load and follow all applicable laws.
- Automatic car washes should be avoided to prevent damage to rack.
- Always follow manufacturers load ratings on roof bars. Do not overload. Vagabond weighs 13kg (28.5lb) empty.

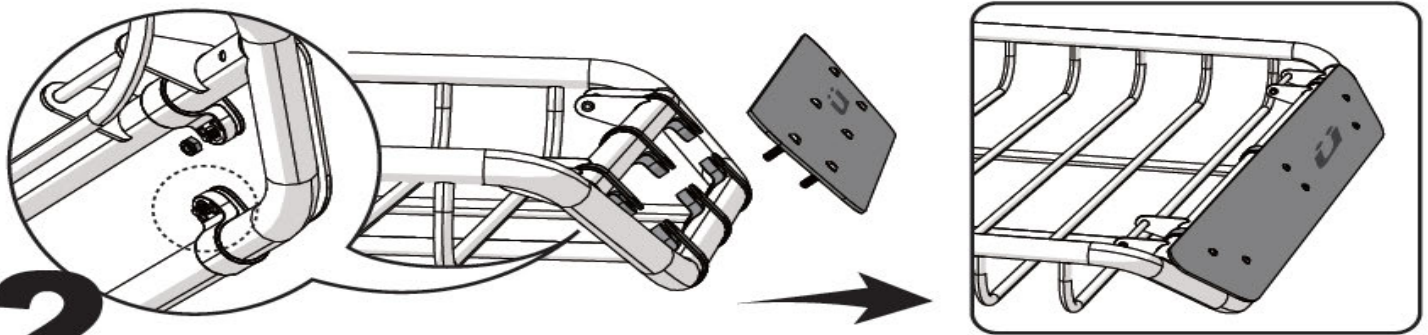
1



1

- Assemble front and rear half of rack.
- Make sure the two small holes in the underside of each top tube are aligned.
- Install the two M6 x 16mm button head screws and lock washers into the small holes and tighten with the supplied hex wrench.

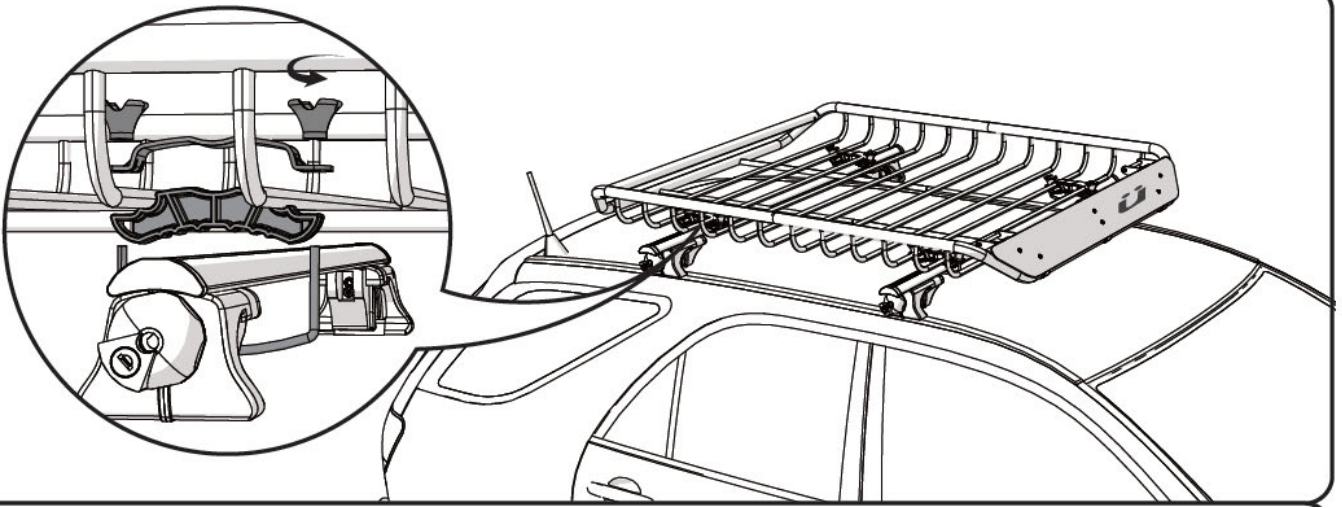
2



2

- Place the 6 visor clamps on the front tubes as shown.
- Place visor on the front of rack and align the holes in the visor with the visor clamps.
- Insert the 6 M6 x 25mm button head screws through the visor and into the visor clamps.
- Insert the 6 M6 lock nuts into hex recess in visor clamps and tighten button head screws with the supplied hex wrench.
- Be careful not to over tighten the screws and crack the plastic.

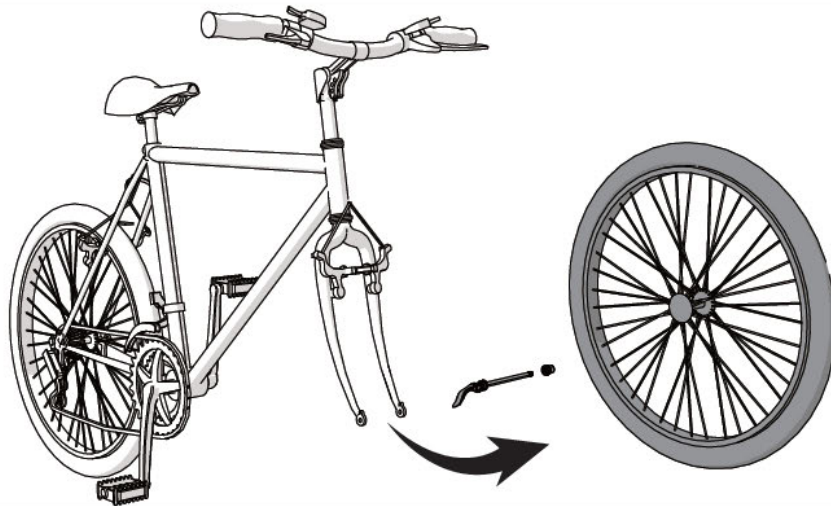
3



3

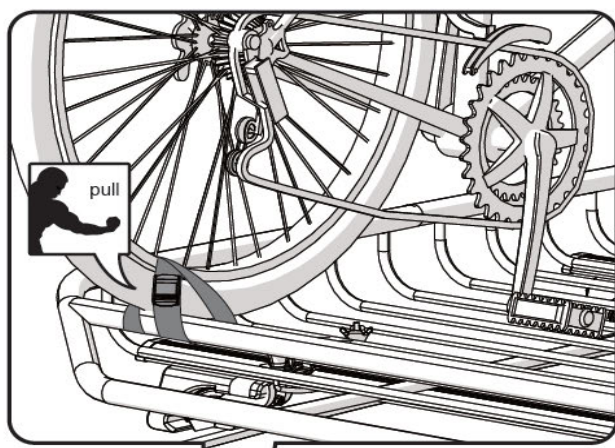
- Vehicle cross bars should be no less than 56cm (22") apart.
- Place spacers between 2 small bars and snap into place as shown.
- Center rack on vehicle and insert U-bolts from under the cross bar and into spacer.
- Place steel strap over spacer from top and install and tighten crown nuts.

4

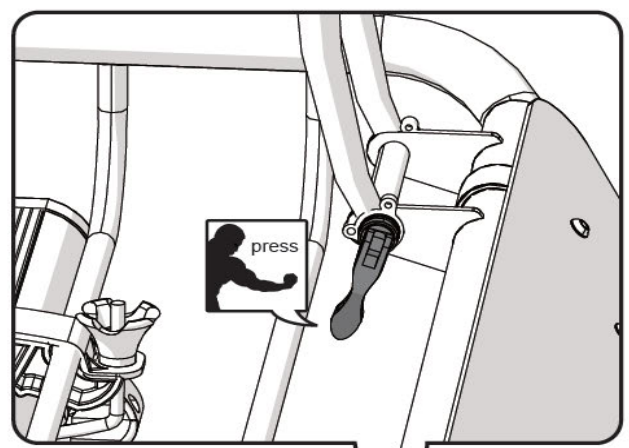


4

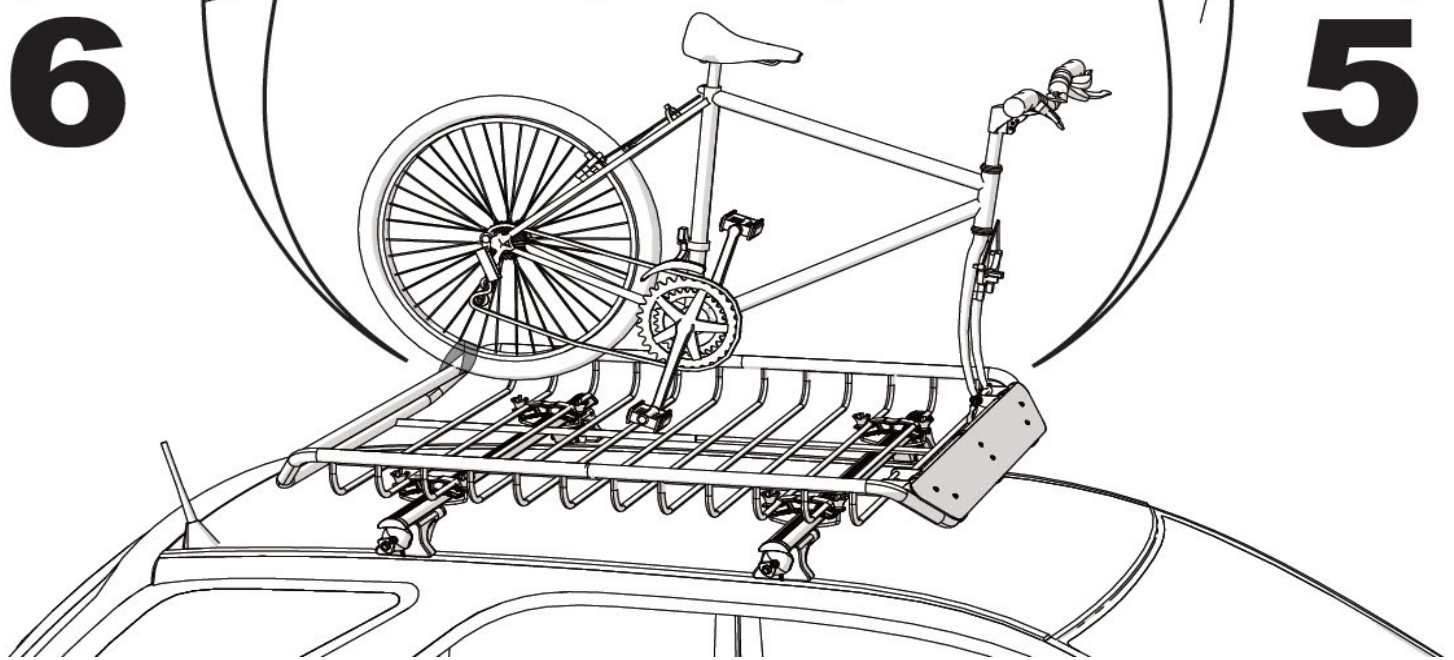
- Remove front wheel and skewer from bicycle.
- **Caution!** Only bicycles with removable front wheel skewers can be mounted on the Vagabond.



6



5



Mounting the Bicycle

5

- Place front fork of bicycle onto the skewer mount bracket on front of Vagabond.
- Make sure the forks are fully seated onto the bracket.
- Insert skewer into center of tube in mount bracket.
- Adjust and securely tighten skewer to fix bicycle to Vagabond.
- Make sure skewer is properly installed and tightened.

6

- Wrap rear tire strap around rear top tube of Vagabond and inside rear bicycle wheel.
- It is recommended that the strap encompass both the rear top tube and the side tube to help prevent the rear wheel from sliding.
- Tighten strap using buckle.
- Press lever on buckle to release.

Register your product online at www.kuatracks.com

And check out the installation video.

Kuat Racks Limited Lifetime Warranty

Kuat honors the warranty on all Kuat brand racks as long as the original purchaser owns the rack. If the original purchaser sells or otherwise transfers the product to another person, the warranty is terminated.

If a Kuat rack that is covered by the terms of this warranty is defective, Kuat will repair or replace the defective parts at its discretion. Kuat may choose in some cases to offer a refund of the purchase price of the product instead of repairing or replacing the defect.

The Kuat warranty does not cover any conditions that are beyond Kuat's control. This includes but is not limited to excessive loading, improper assembly, improper mounting, off road use, theft or any use that is not consistent with the instructions that are included with the product or that are available to the user.

The Kuat Warranty does not cover normal wear and tear, scratches, cosmetic oxidation, accidents, illegal vehicle operation or unauthorized repairs or modifications.

If you are the original owner of a defective Kuat product, please contact Kuat at 1(877)822-5828. A Kuat representative will work to resolve the problem. If repairs are necessary, the owner will be responsible for the cost of returning the product to Kuat for repair. No product should be returned to Kuat without prior authorization from a Kuat agent.

LIMIT OF LIABILITY

THIS WARRANTY ONLY COVERS REPAIR, REPLACEMENT OR REFUND FOR THE COVERED KUAT PRODUCT. ANY DAMAGE TO VEHICLE OR PROPERTY OR INJURY IS NOT COVERED BY THIS WARRANTY.

LIMITATION OR EXCLUSION OF INCIDENTAL DAMAGE IS NOT ALLOWED IN ALL STATES SO THESE LIMITATIONS MAY NOT APPLY.

KUAT INNOVATIONS LLC
1631 WEST COLLEGE STREET
SPRINGFIELD, MO 65806

WARRANTY

Kuat Innovations offers a limited lifetime guaranty that certifies our racks to be free of defects in material and/or craftsmanship. The following conditions apply:

1. Warranty applies only to original owner.
2. Warranty does not cover wear and tear, accidental damage, or misuse.
3. Repair and/or replacement of any part is at the discretion of Kuat Innovations.
4. All repairs must be made by or under the direction of a Kuat technician.
5. All claims must be shipped to Kuat prepaid.

If you have questions or problems with your rack, please contact Kuat Innovations directly by calling toll free 1(877)822-KUAT, or by email: info@kuatinnovations.com.